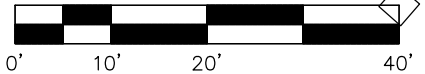


PLAN

SCALE: 1" = 20'



CHANNEL SURVEY UPSTREAM AND DOWNSTREAM 20 X CBW (MIN. 150-FT UP AND DOWN).

September 29, 2016  
DNR FP Division

NO SLOPE CULVERT EXAMPLE

BY	DATE	REVISIONS
x	xx	xx/xx/xx
		xxxx xxxxxxxxxxxxxxxx

DRAWING TITLE: SITE PLAN

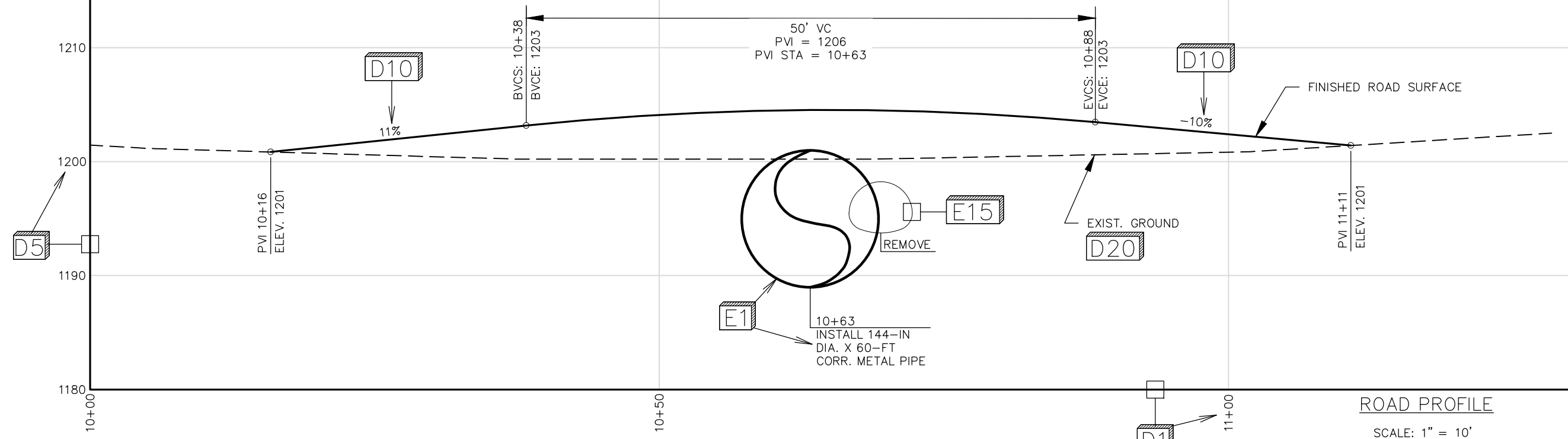
LANDOWNER: XXXXXXXXXXXX

SEC. TOWNSHIP RANGE: SEC. XX TXN RXW

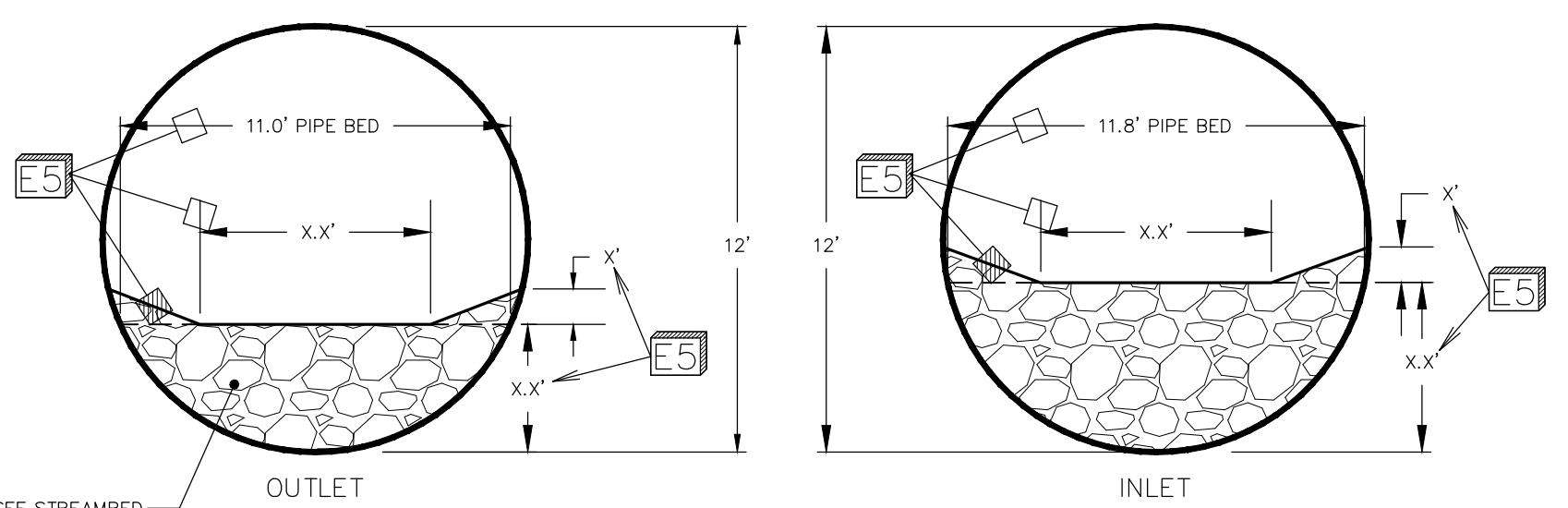
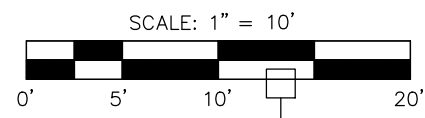
LAT & LONG: NXX.XXXX' WXXX.XXXX'

DATE: X/XX/XX

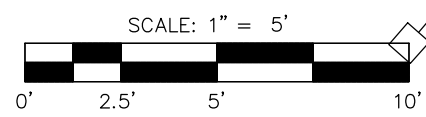
SHEET  
1  
OF  
3



ROAD PROFILE



CULVERT SECTIONS



**STREAMBED MATERIAL TABLE**

STREAMBED MATERIAL WILL BE A HOMOGENEOUS BLEND OF THE FOLLOWING:

- 8-INCH MINUS PIT RUN. SOURCE: 1025 RD PIT.
- BOULDERS: SIZE 14" TO 20" IF ANGULAR. 18" TO 24" IF SUB-ANGULAR OR ROUNDED. QUANTITY: 25% TOTAL STREAMBED MATERIAL VOLUME.

September 29, 2016  
DNR FP Division

NO SLOPE CULVERT EXAMPLE

BY	DATE	REVISIONS
X	XX	XX/XX/XX
		XXXX XXXXXXXXXXXXXXXXX

DRAWING TITLE: **ROAD PROFILE**

LANDOWNER: **XXXXXXXXXXXXXX**

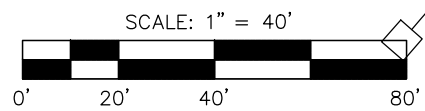
SEC. TOWNSHIP RANGE: **SEC. XX TXN RXW**

LAT & LONG: **NXX.XXXX° WXXX.XXXX°**

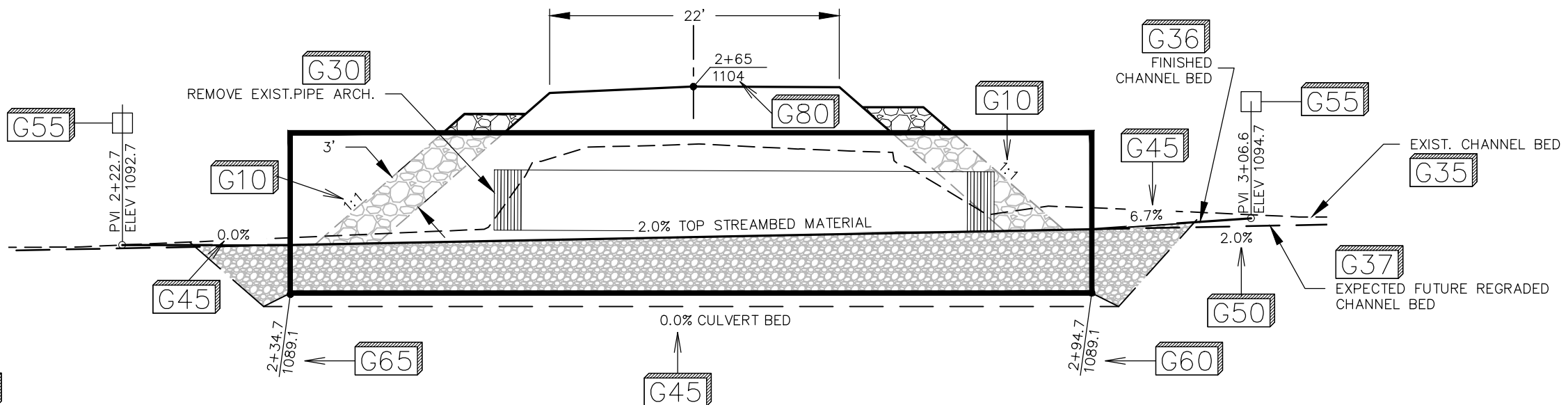
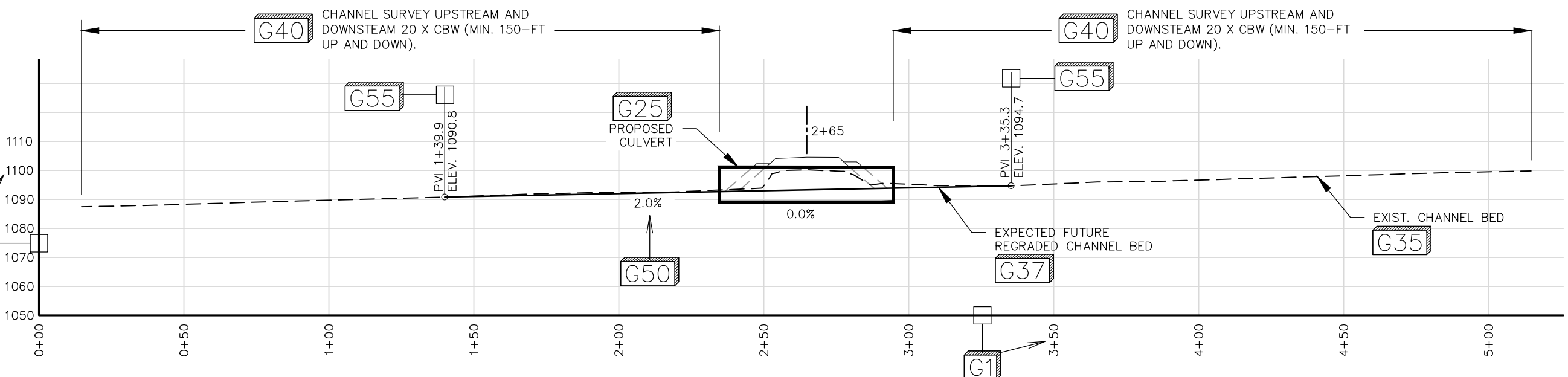
DATE: **X/XX/XX**

SHEET  
2  
OF  
3

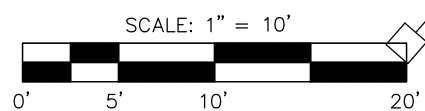
CHANNEL PROFILE



B1



CULVERT PROFILE



B1

September 29, 2016  
DNR FP Division  
NO SLOPE CULVERT EXAMPLE

BY	DATE	REVISIONS
x	xx	xx/xx/xx
		xxxx xxxxxxxxxxxxxxxx

DRAWING TITLE: CHANNEL PROFILE  
 LANDOWNER: XXXXXXXXXXXXX

SEC. TOWNSHIP RANGE: SEC. XX TXN RXW  
 LAT & LONG: NXX.XXXX° WXXX.XXXX°  
 DATE: X/XX/XX

SHEET  
3  
OF  
3